








Butler

VOLVO CARS RECOMMENDED EQUIPMENT



-  **ATTREZZATURA CONSIGLIATA**
-  **RECOMMENDED EQUIPMENT**
-  **EMPFOHLENE WERKSTATT AUSRÜSTUNG**
-  **EQUIPEMENTS CONSEILLÉ**
-  **EQUIPOS RECOMENDADOS**



Tyre Changers

KENDO.30 LIGHT

Rapid bead breaker roller and tool adjustment.
The bead breaker rollers and tool are simultaneously positioned in one simple movement.

Automatic arm locking
To ensure greater precision, the arms automatically lock in place during mounting and demounting. A touch on the button releases the locking mechanism and allows the arm to move.

Volvo specification number:

7.102.04

SPJ SE 25718



HP643.26

Automatic tyre changer with tilting column.

External self-centering lock: 10"-26"

Internal self-centering lock: 12"-28"

Maximum tyre width: 17"

Volvo specification number:

7.102.04

SPJ SE 25718



HP643Q.26 + PLUS83N

Automatic tyre changer with:

- tilting column
- a large and reinforced frame
- with 2 speed motor
- inflation device

External self-centering lock: 10"-26"

Internal self-centering lock: 12"-28"

Maximum tyre width: 17"

PLUS83N - Helping arm

Volvo specification number: 7.102.04

SPJ SE 25718



Recommended accessories:

G800A6
4 clamp protections

G800A8
Tool protection

G800A11
Bead breaker protection

Wheel Balancers

LIBRAK 355S

Professional wheel balancer with automatic distance and diameter measurement.

Colour monitor TFT 19" with industrial PC.

Complete with wheel hood, car cones and quickfit nut.

Volvo specification number: 7.101.04

SPJ 25717



LIBRAK 238HD

A low rotation speed balancer. Entry level model of the motorised range, the machine offers great value for money and occupies a very limited space, it also gives professional performances. Guided rim/tyre optimisation process.

Volvo specification number: 7.101.04

SPJ 25717



Recommended accessories:
GAR131H - Universal flange

Brake tester

BURT 009/4SE

Computerised control unit with colour TFT monitor 17".

Volvo specification number: 5.101.05

SPJ SE 25715



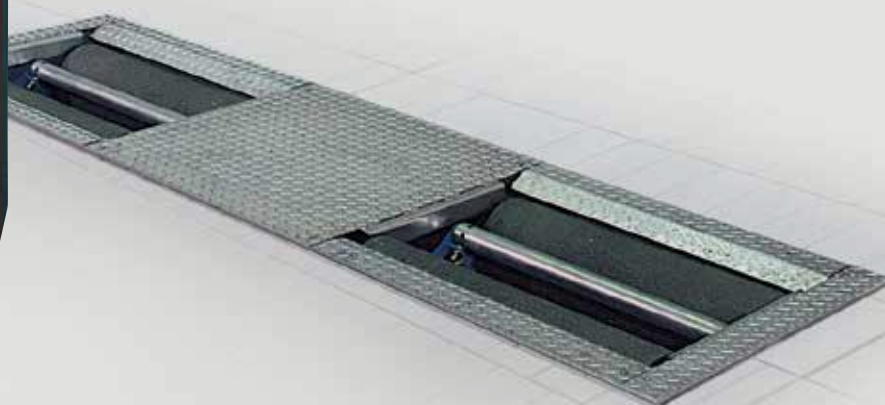
BURT 102N

Roller brake tester

Motors: 4,7 + 4,7 kW

Breaking measurement up to 6000N

Available also with selfbraking motors and built-in weighting unit.



Wheel Alignment - Ccd Cameras

Speedliner 8050WS

8-CCD sensor wheel aligner.

Volvo specification number: **6.101.03**

SPJ SE 25716

Infra-red transmission among measuring heads. Bluetooth transmission between front measuring heads and control unit. Maximum mobility between different working positions thanks to the absence of cables and any fix structure.



STANDARD

- 1 control unit with PC, keyboard, printer and battery-charger
- 2 front measuring heads
- 2 rear measuring heads
- 2 pair of four point clamps
- 1 pair of S110A7 turn tables
- 1 brake pedal depressor
- 1 steering wheel lock
- Instruction manual on CD

Recommended accessories:

STDA72 (2 set)

24" to 28" extensions for 2 clamps

Wheel Alignment - 3D

Speedliner 3D HP.B

3D wheel aligner

Volvo specification number: **6.101.03**

SPJ SE 25716

Premium cabinet
3-point clamps



Speedliner 3DS

3D wheel aligner

Volvo specification number: **6.101.03**

SPJ SE 25716

Space saver cabinet
4-point clamps



Quick battery change.



Keyboard with remote-control function.

Recommended accessories:

STDA72 (2 set) - 24" to 28" extensions for 2 clamps



Can be used on any 4 post or scissors lift. Automatic lift level compensation.



2 universal supports included



Scissor Lifts

Lifts with flat platforms

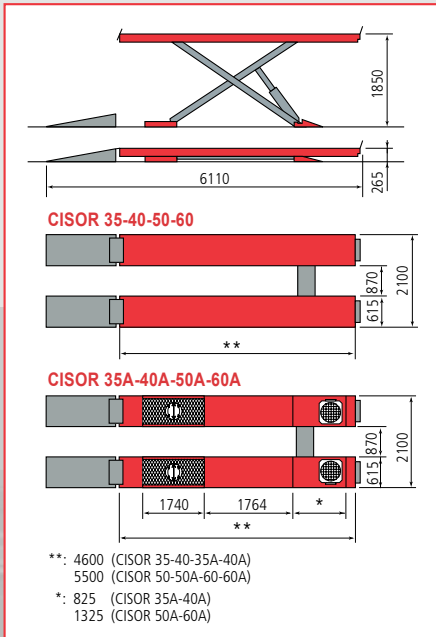
- CISOR 35 / 3500 kg
- CISOR 40 / 4200 kg
- CISOR 50 / 5000 kg
- CISOR 60 / 6000 kg

Volvo specification number: **0.105.02**
SPJ 25662

Wheel alignment lifts

- CISOR 35A / 3500 kg
- CISOR 40A / 4200 kg
- CISOR 50A / 5000 kg
- CISOR 60A / 6000 kg

Volvo specification number: **0.105.02**
SPJ 25662

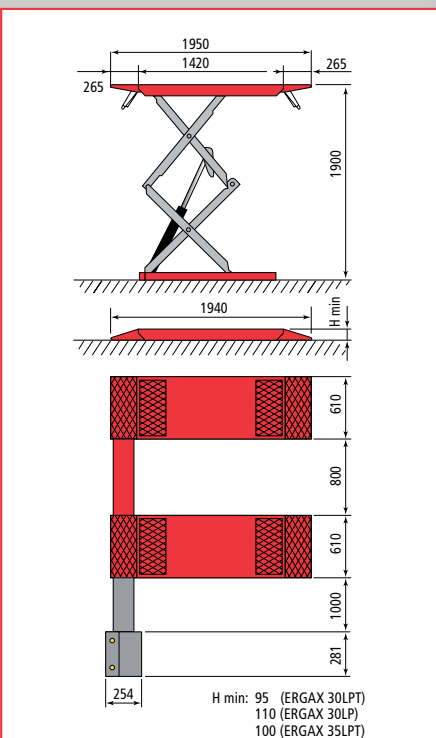


Jacking Beam

- J20PNX / 2000 kg air-hydraulic
 - J20PNXL / 2000 kg air-hydraulic large
 - J30PRL / 3000 kg air-hydraulic large
- Volvo specification number: **0.103.03**
Air-hydraulic scissor wheel-free jack



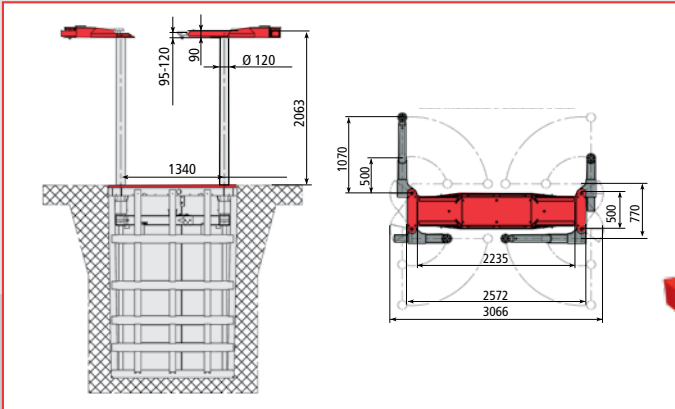
Low Profile Scissor Lifts



- ERGAX 30LP / 3000 kg (H min = 110 mm)
 - ERGAX 30LPT / 3000 kg (H min = 95 mm)
 - ERGAX 35LPT / 3500 kg (H min = 100 mm)
- Volvo specification number **0.105.02**
SPJ 25661



In Ground Piston Lifts



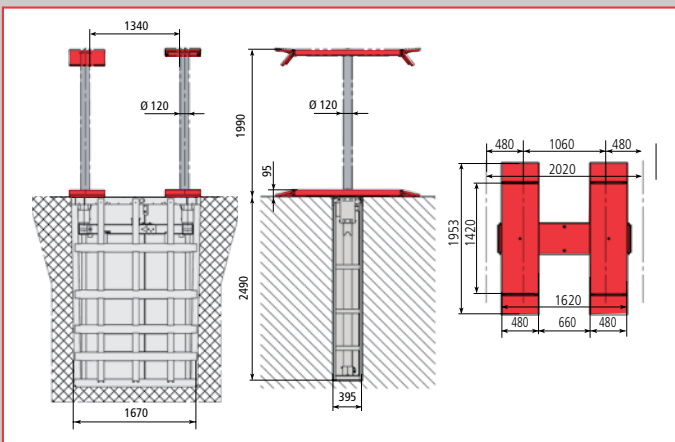
ALVAR 35NA / 3500 kg

Version with lifting arms

S1110A5 - Complete waterproof frame

Volvo specification number: **11.110.01**

SPJ SE 26125



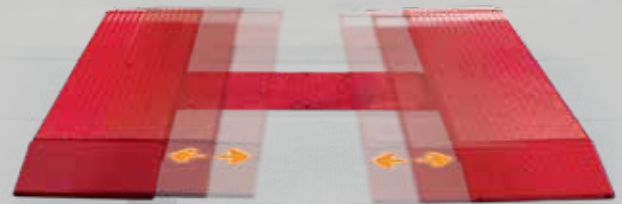
ALVAR 35SPL M / 3500 kg

Lift with adjustable track of pick up supports

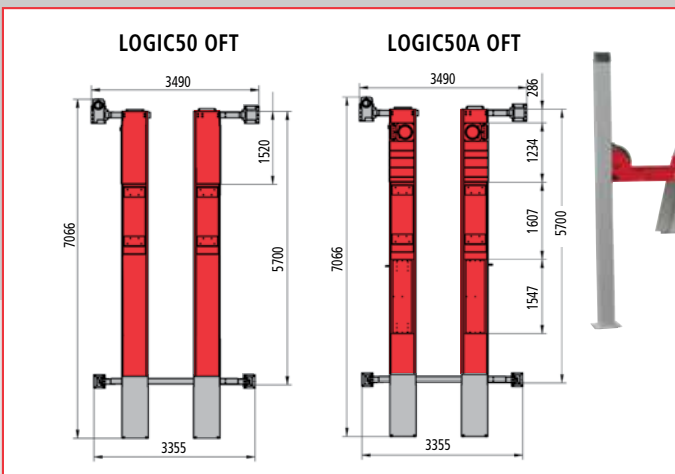
S1110A5 - Complete waterproof frame

Volvo specification number: **11.110.01**

SPJ SE 26125



4 Post Lifts - Open Front

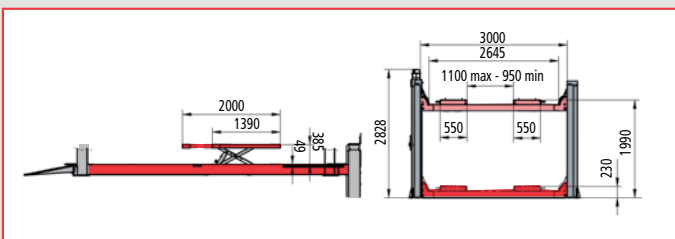


Lifts with flat platforms

LOGIC50 OFT / 5000 kg

Volvo specification number: **0.103.03**

SPJ SE 25660

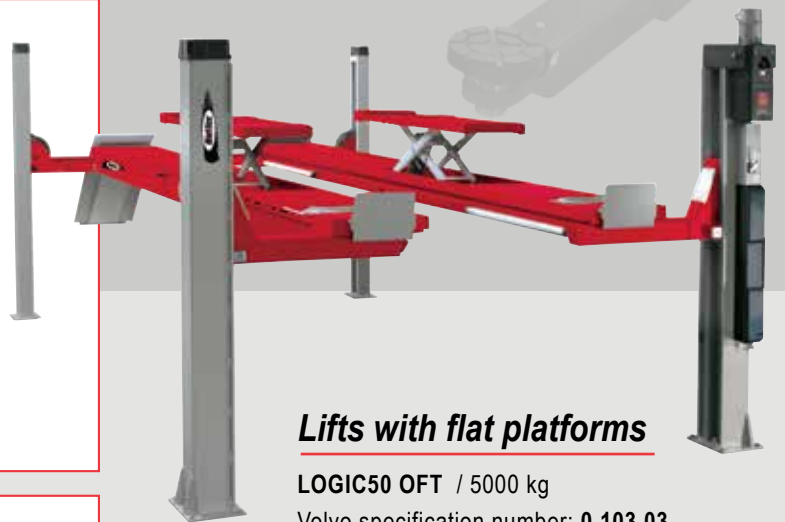


Wheel alignment lifts

LOGIC50A OFT / 5000 kg

Volvo specification number: **0.103.03**

SPJ SE 25660

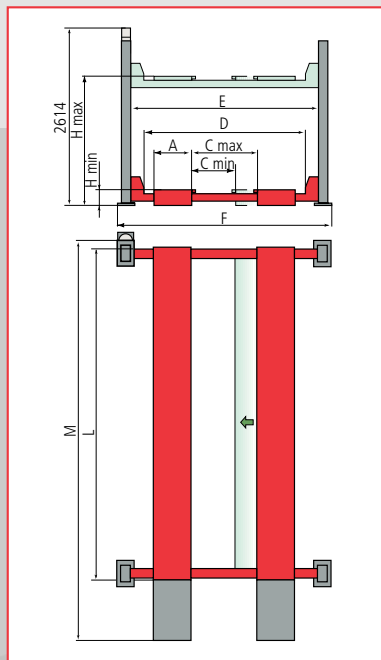


4 Post Lifts

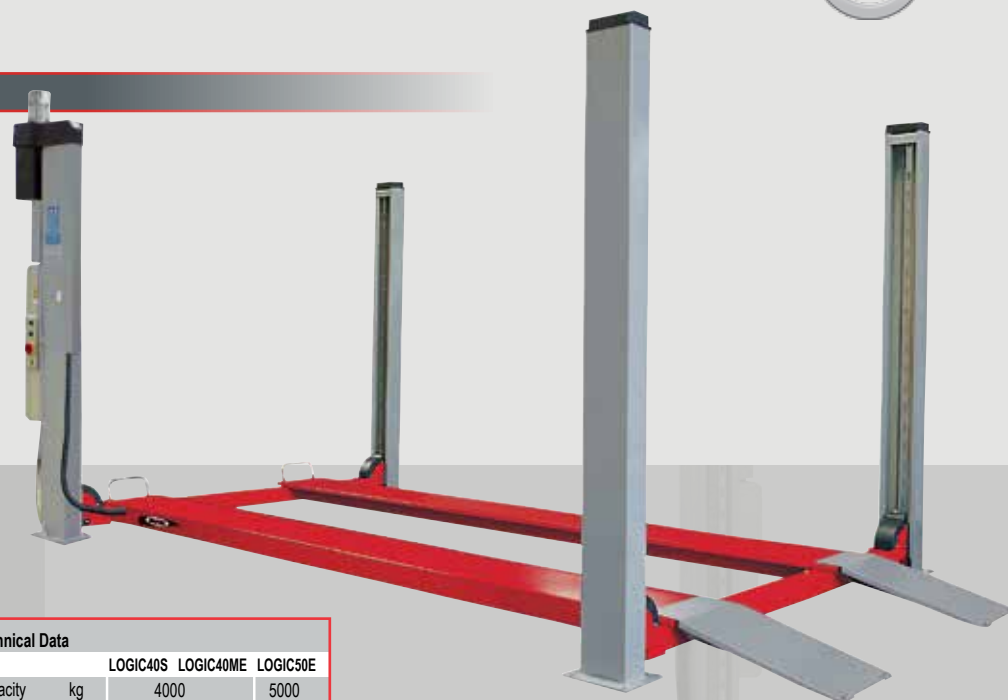
Versions with flat platforms

LOGIC 40S / 4000 kg
 LOGIC 40ME / 4000 kg
 LOGIC 50E / 5000 kg

Volvo specification number: 0.103.03
 SPJ SE 25660



Technical Data		LOGIC40S	LOGIC40ME	LOGIC50E
Capacity	kg	4000		5000
Motor	kW		2,6	
Dimensions				
A		500		530
C max		1250		1180
C min		910	860	786
D		2470	2670	2645
E	mm	2800		3000
F		3365		3355
H max		1905		1915
H min		150		160
L		4460	5100	5700
M		5190	6170	6670



Versions for full wheel alignment

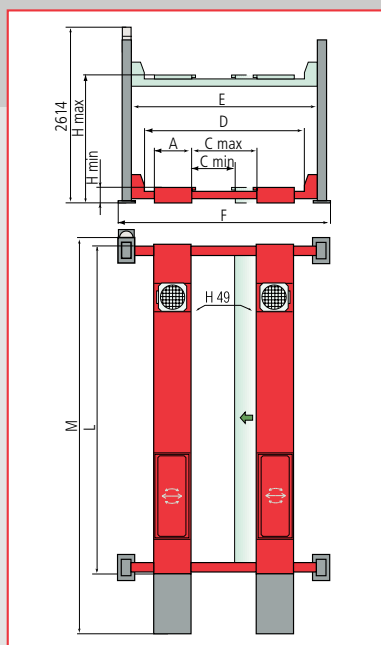
LOGIC 40MA / 4000 kg
 LOGIC 40LEA / 4000 kg

Platforms for total wheel alignment with front turning plates locations and rear slip plates.

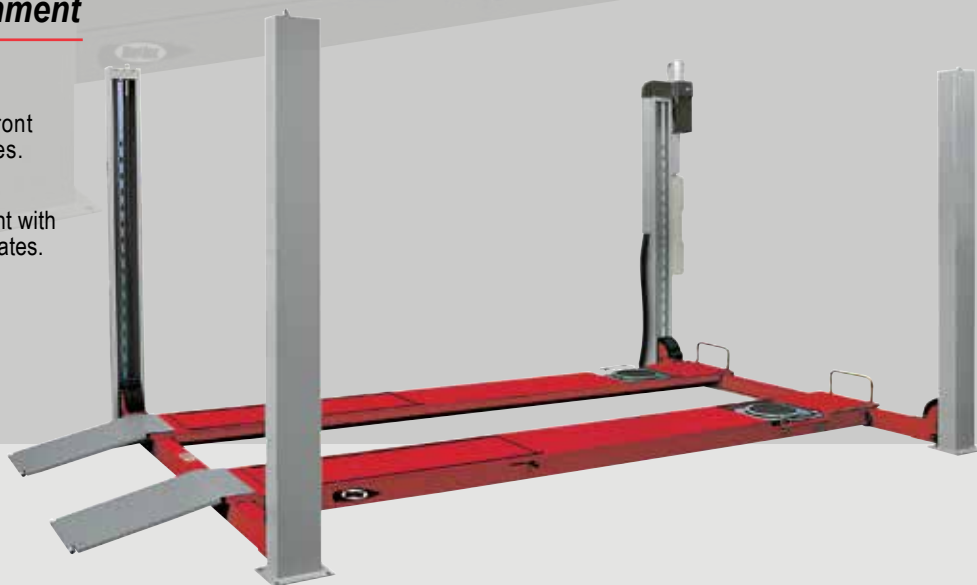
LOGIC 50EA / 5000 kg

Extra-long platforms for total wheel alignment with front turning plates locations and rear slip plates.

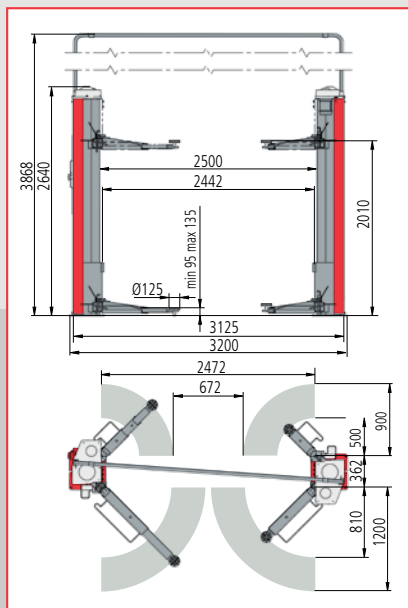
Volvo specification number: 0.103.03
 SPJ SE 25660



Technical Data		LOGIC40MA	LOGIC40LEA	LOGIC50EA
Capacity	kg	4000		5000
Motor	kW		2,6	
Dimensions				
A			530	
C max		1210	1225	1180
C min		860	853	786
D		2470	2670	2645
E	mm	2800		3000
F		3365		3355
H max		1915		1915
H min		160		210
L		4460	5100	5700
M		5190	6318	6913

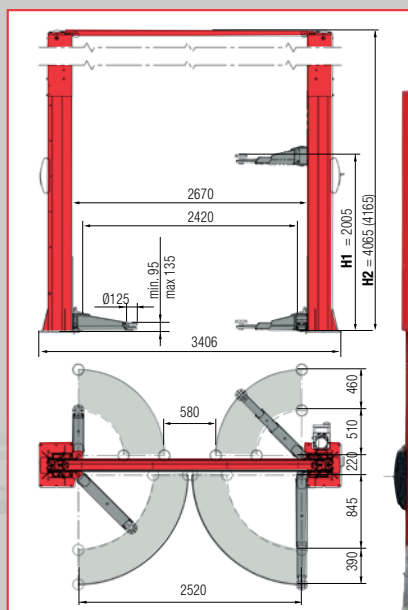
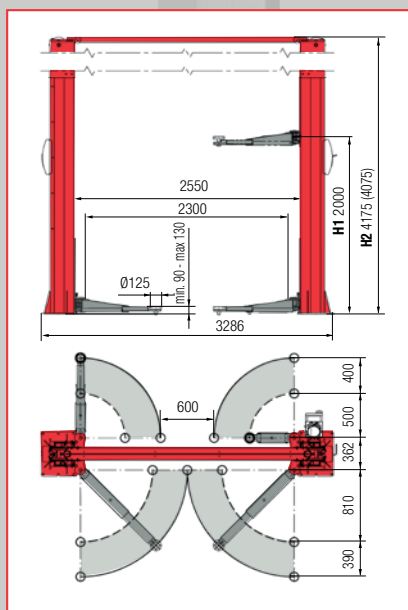
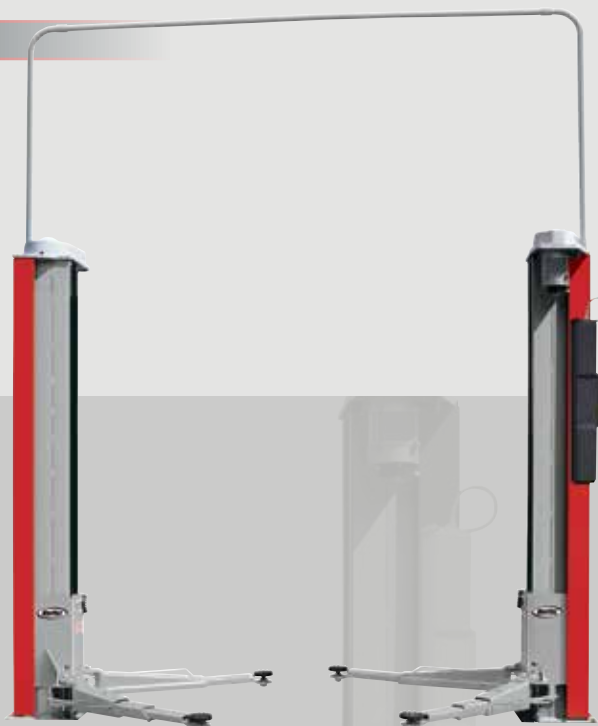


2 Post Lifts



Electromechanical baseless 2-post lift

TOREK 32WK / 3200 kg
 Volvo specification number:
11.108.01
SPJ SE 26123



Electrohydraulic baseless 2-post lift

HYDROS 70.32K / 3200 kg
 Volvo specification number:
11.108.01
SPJ SE 26123

HYDROS 70.42K / 4200 kg
 Volvo specification number:
11.108.01
SPJ SE 26123

